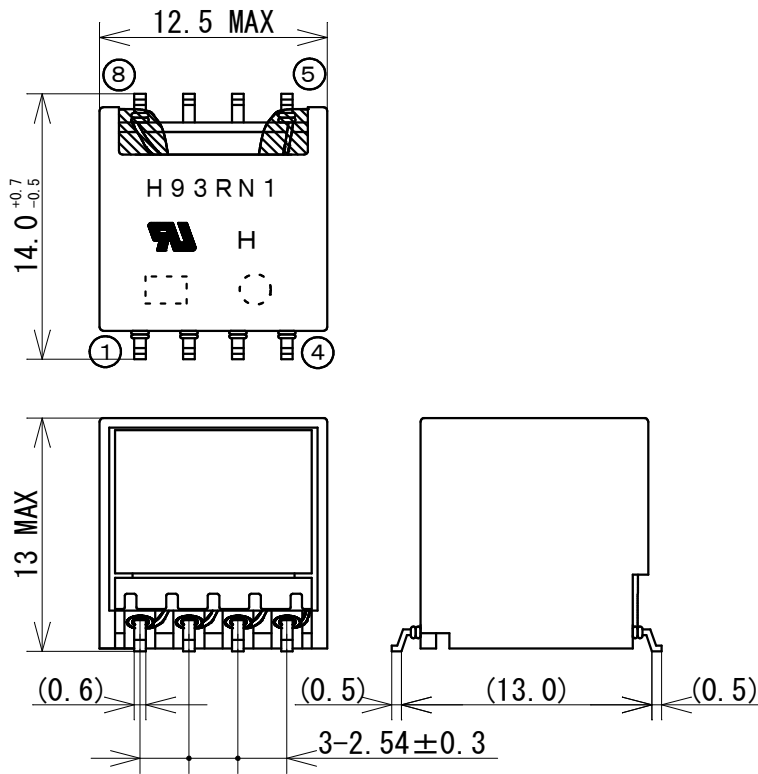


## H93RN1

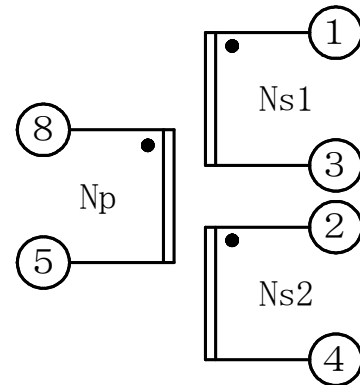
Reinforced Insulation  
Power line Communication Coupling  
Transformer For CENELEC A,B, FCC,ARIB.

### MECHANICAL DIMENSIONS



UNIT : mm

### SCHEMATIC



Turns Ratio  
 $N_p : N_{s1} + N_{s2} = 1 : 1$

UL File No. : E117865  
Creepage distance : 9.6mm  
Working Voltage Urms = 480V  
Overvoltage category : III  
Pollution degree : II  
Insulation material group : III b

### ※Precautions for use

For transformers that have been manufactured for more than 6 months, please check the solder wettability of the terminals before use.

### ELECTRICAL SPECIFICATIONS

Parameter	Pins Under Test	Test Conditions	STD TOLERANCE
Breakdown Voltage	8 : 1, 2	Vac 4.0kVrms 60sec (testing Vac 4.8kVrms 2sec)	
Inductance	5 - 8	10kHz 0.1V	$\geq 600\mu\text{H}$
Leakage Inductance	5 - 8 (4-2,3-1 SHORT)	1MHz 0.1V	$\leq 1.0\mu\text{H}$
Interwinding Capacitance	5 - 4 (2-3 SHORT)	100kHz 0.1V	$\leq 60\text{pF}$
DC Resistance	1 - 4 (2-3 SHORT)	T = 25°C	$\leq 0.32\ \Omega$
	8 - 5		$\leq 0.45\ \Omega$