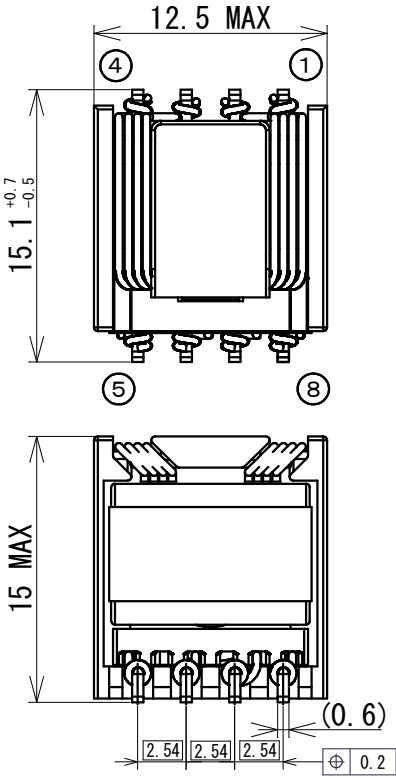


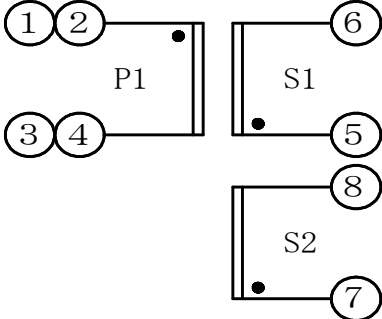
HFTR4CA

Transformer for Distributed Power Supply in SiC Gate Drive.

MECHANICAL DIMENSIONS



SCHEMATIC



Turns Ratio
 $P1:P2:P3 = 1:2.3:0.43$

Class B Equivalent (130°C)/UL105°C (Class A)
 $V_{in}=24V$
 Withstand voltage : AC5.0kV
 Creepage distance : 12.0mm (P1~S1,S2)
 (Reinforced insulation)
 Clearance distance : 11.2mm (P1~S1,S2)

Applicable Model:BD7F200EFJ-LB.

※Precautions for use
 For transformers that have been manufactured for more than 6 months, please check the solder wettability of the terminals before use.

ELECTRICAL SPECIFICATIONS

Parameter	Pins Under Test	Test Conditions	STD TOLERANCE
INDUCTANCE	1,2-3,4	400kHz 1Vrms	$15 \mu H \pm 15\%$
			$15 \mu H \pm 15\%$ (at DC1.79A)
DC RESISTANCE	5-1	$T=25^{\circ}C$	$\leq 80m\Omega$
DIELECTRIC STRENGTH	1,2:6,8	AC5.0kV 1MINUTE	