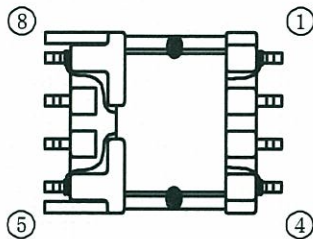
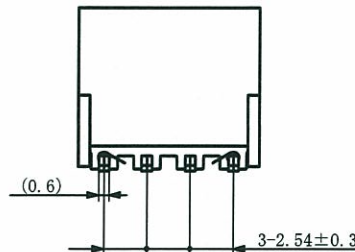
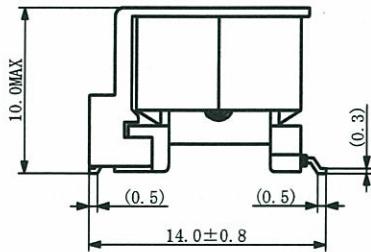
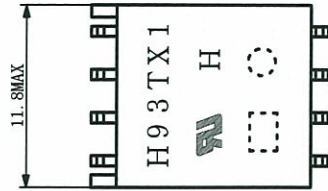
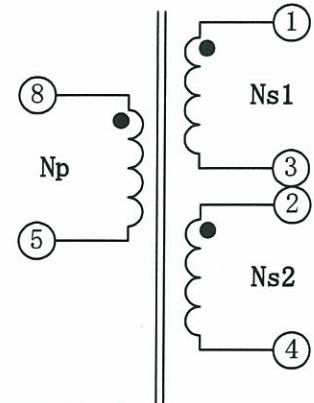


## MECHANICAL DIMENSIONS



UNIT : mm

## SCHEMATIC



Turns Ratio

$$N_p : N_{s1} + N_{s2} = 1 : 1$$

UL File No. : E117865

Creepage distances : 5.2mm

(4.0mm—Insulation material group I )

Working Voltage Urms = 240V

Overtoltage category : III

Pollution degree : II

Insulation material group : I, IIIb

## ELECTRICAL SPECIFICATIONS

Parameter	Pins Under Test	Test Conditions	STD TOLERANCE
Breakdown Voltage	1 : 8	Vac 3600Vrms 2sec	
Inductance	8 - 5	10kHz 0.1V	≥ 0.6mH
Leakage Inductance	8 - 5 (1-3, 2-4 SHORT)	1MHz 0.1V	≤ 1.0 μH
Interwinding Capacitance	1 - 8 (2-3 SHORT)	10kHz 0.1V	≤ 40pF
DC Resistance	1 - 4 (2-3 SHORT)	T=25°C	0.32 Ω MAX
	8 - 5		0.40 Ω MAX